



Self Service
Banking
Retail

CASH BANK[®] Recycler

Total cash recycler solution

CASH BANK – RECYCLER

Total cash recycler solution for coins & notes.

Our Cash Bank solutions make cash-handling accurate, clean, secure and efficient in the retail environment.

Reduce robberies, forget internal thefts.

Complete Cash IN / Cash OUT software with realtime data, remote monitoring, reports, administration screens, ...

KEY FEATURES:

- ✓ High speed coin sorting (600 coins/min)
- ✓ Bulk note / coin acceptor
- ✓ Locked cash boxes (notes and coins)
- ✓ Large capacity
1900 notes / 16.900 coins
- ✓ ECB Homologated coin & note validators for counterfeit rejections



CASH BANK[®] solves most of your cash-handling problems

Why Grupo CR?

We have more than 10 years of experience manufacturing Self Service Terminals.

Our strength is the customized design of self service projects following our customers specifications.

Our extensive product catalogue includes Teller Cash Dispensers, Ticketing Machines, Information Kiosks, Payment Terminals, . . .

www.grupocr.com

APPLICATIONS

- ✓ Restaurants
- ✓ Supermarkets
- ✓ Shops
- ✓ Petrol stations
- ✓ Ticket vending offices
- ✓ Post offices

DETAILS

HIGH SPEED OPERATIONS

Reduces customer exposure to risk attack

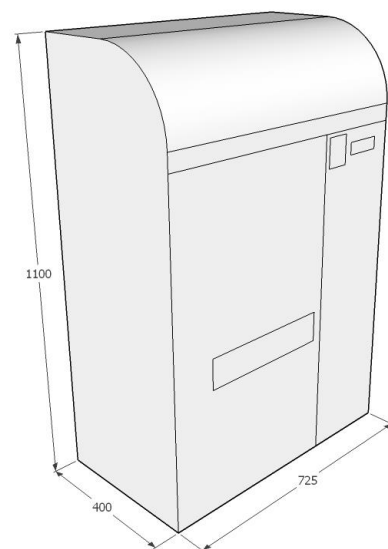
COST EFFECTIVE

Lower cash handling costs at the best price/quality relationship

REDUCE FLOATS

Recycling coins and notes involve lower cash floats

Technical Specs	Cash Bank Total Cash Recycler (coins & notes)
Safe	3 mm to CEN IV (notes)
Lock	Mechanical & electronic with delay
Banknote acceptor	Bundle note acceptor – 20 bills / 10 seconds
Banknote capacity	Deposit - 1000 notes locked stacker Recycler - 4 x 100 notes recycling cassettes Loading cassette – 500 notes
Banknote dispenser	20 bills / 12 seconds
Coin sorter	8 denominations - 600 coins/minute
Coin capacity	Deposit - 10.000 mixed coins locked coin box Recycler - 8 x Coin hoppers (6.900 coins recycled)
Coin dispensers	8 x 400 coins per minute
Standalone & connected modes	The Cash Recycler can be configured as a standalone cash machine (including PC/Screen/Printer) or as a cash module with Ethernet, WIFI or USB connection
Optional devices	Card reader, Passport / Barcode / Fingerprint scanner, ...
Dimensions (3mm safe)	1100 x 725 x 400 mm (HxWxD)
Weight (3mm safe)	120 Kg



Grupo CR Tecno, S.L.

Overseas Marketing & Sales Department
Ctra. San Vicente a Agost, Km 6,4
03698 Agost (SPAIN)

Tel: +34 965692241
grupocr@grupocr.es
www.grupocr.com